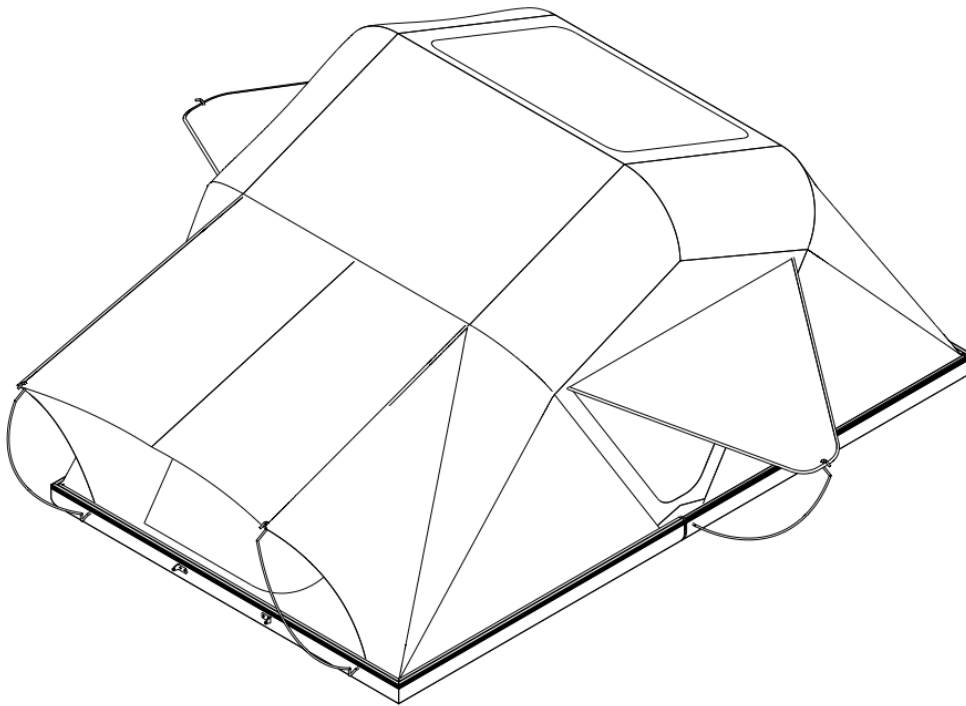


Roof Space 2

USER MANUAL



Congratulations on your purchase of a Roof Space 2 - the original of a new category of roof tents.

We are happy to welcome you to the Roof Space family and thank you for your support and trust. If you have any questions or suggestions, please feel free to contact us at info@roofspace.de.

Immanuel Schneider and Jakob Heider
Managing Director and Founder of Roof Space GmbH

Table of content

SAFETY INSTRUCTIONS	03
SHORT GUIDE	05
SCOPE OF DELIVERY	07
TECHNICAL DATA	08
INSTALLATION	09
ROOF CARRIER	
ROOF SPACE 2	
SET UP	11
OPENING THE CASE	
HOOKING AND SETTING UP THE LADDER	
SETTING UP THE CANOPY	
SETTING UP THE SIDE WINDOWS	
OPENING THE PANORAMA MODE	
DISMANTLING	13
CARE INSTRUCTIONS	14

Safety instructions

The Roof Space 2 offers you a cozy and flexible space to sleep and relax during your trip. To keep you and others safe during use, we've noted a few general precautions here. There is always a risk of accidents during outdoor activities, so you should always be alert. Improper use of the product may result in property damage or personal injury. If you still have questions despite the listed instructions, please contact us at info@roofspace.de.

ASSEMBLY

- All parts as listed in the scope of delivery must be present.
- Follow the instructions in this manual on page 7.
- Assemble and disassemble the roof tent with several adults, wearing safety gloves.
- Make sure that proper roof racks are installed on your vehicle.
- If you cause or notice any damage to the roof tent during assembly, contact us before using it. The use of damaged products can lead to accidents.

A roof tent is considered a load under Section 22 of the Road Traffic Regulations.

The load, including load securing devices and loading equipment, must be stowed and secured in such a way that they cannot slip, fall over, roll back and forth, fall down or generate avoidable noise, even during emergency braking or sudden evasive action. The recognized rules of technology must be observed.

Roof Space assumes no liability for

- the incorrect assembly of the roof tent,
- incorrect assembly or errors of the roof racks,
- incorrect handling of the roof tent

and resulting damage, to objects or persons.

Safety instructions

DRIVING

- Make sure your roof tent is securely mounted on your vehicle before you start moving it. A loosely mounted product can cause accidents and damage.
- Before driving, the case must be firmly locked with both fastening buckles. Your vehicle should never be set in motion with the tent open.
- Make sure your vehicle has sufficient dynamic roof load. The Roof Space Two weighs 67 kg plus the roof rack.
- The maximum speed recommended by us is 110 km/h. Always pay attention to the specifications of the manufacturer of your roof racks.
- When passing underpasses, always remember that your vehicle is higher because of the roof tent.
- During your trip, check occasionally that the roof tent is still firmly attached and that nothing has come loose from the fastening or from your roof racks.
- Your roof window in your vehicle should remain closed, as it could collide with the roof tent's attachment.
- Do not take your roof tent to a car wash.

USE

- Be careful when using the ladder into the tent. Rain, mud, etc. can make the steps slippery.
- Make sure the ladder is on solid ground.
- In high sunlight, be aware that the aluminum case may be hot.
- Children should not be left unattended in the tent.
- Do not exceed the load limit of 300 kg inside the tent. Pay attention to the specifications of your roof racks to see if they have a lower load limit, if applicable.
- Do not use flammable materials, fire or open light inside the tent and do not place your tent near them. Sparks can damage the product or cause a fire.
- In extreme weather conditions (e.g. hail, thunderstorms, high winds), use caution and use of the tent is not recommended.
- Remember that you are on the roof of a vehicle. Avoid quick and abrupt movements as much as possible.
- Make sure that the zippers connecting the tent fabric to the suitcase are always closed.

Quick guide

ASSEMBLY

- 1.** Mount the roof rack at a distance of approx. 80 cm on the car roof
- 2.** Position groove stones in the groove rail on the underside so that they are approx. 5-10 cm to the right and left of the roof rack
- 3.** Lift the roof tent onto the roof racks
- 4.** Screw the grub screws (with the hexagon socket facing downwards) into the groove nuts on the right and left of the roof rack as far as they will go and then turn them back 1-2 turns.
- 5.** Center the case on the car roof, make sure that the roof racks do not protrude more than 12 cm on the side with the side cover.
- 6.** Stop the counter plate and tighten it firmly with the knurled nuts

SET UP

- 1.** Open the tension locks of the side cover and fold up the cover 90°.
- 2.** Loosen the safety strap on the lid, now fold the lid all the way around and hook the strap onto the side of the case on the ball head
- 3.** Open the tension locks for the case and release the upper half of the case?
- 4.** Pull up the tent with the help of the opening strap or by pulling the side cover
- 5.** Attach the ladder and bring the tent into a horizontal position (make sure the ground is as firm as possible).
- 6.** Use two spring steel rods to tension the canopy above the entrance (first insert into receptacle, then tension and hook into eyelet at the top, the same applies to the side hinged windows).

Quick guide

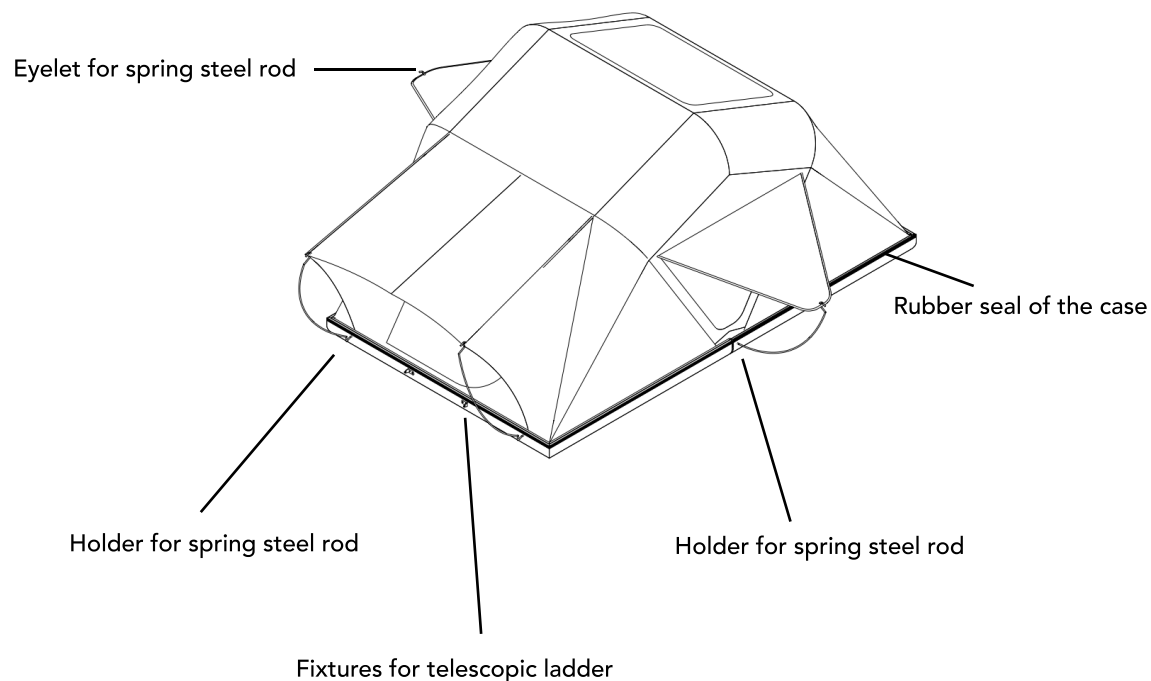
Dismantling

- 1.** Removing the side vent windows or canopy
 - a. Leave entrance slightly open to allow air to escape
 - b. Clear all items from the tent
- 2.** Detach the ladder from the case and push it together
- 3.** Rotate / push up the upper half of the case with the help of the belt or by hand
- 4.** Use the strap to secure the case and tuck in any fabric that has fallen out. Make sure that no fabric is trapped between the seal and the case!
- 5.** Close the case with the tension locks
- 6.** Loosen the safety strap on the ball head, now fold the lid up 90° and fasten the strap to the lid
- 7.** Fold down the side cover and close it with tension locks

Scope of delivery

ROOF SPACE 2	1x
TELESCOPIC LADDER	1x
SPRING STEEL ROD	5x
MATTRESS WITH ANTI-CONDENSATION MAT	1x
AUXILIARY BELT FOR OPENING & CLOSING	1x
ASSEMBLY KIT	1x
SHOE BAG	2x

Technical data



Case dimensions	156 x 136 x 21 cm
Tent dimensions	255 x 146 x 130 cm
Sleeping area	205 x 135 cm
Weight	67 kg
Tent load capacity	300 kg
Ladder load capacity	150 kg
Case	6063 Aluminium
Tent fabric	Polycotton Fabric (65% Polyester, 35% Cotton)
	Water column 3.000 mm

Assembly

- ! Before the Roof Space 2 can be mounted, your vehicle must be equipped with a roof rack or crossbar. Make sure that these are securely fastened.
- ! Make sure that the weight of the Roof Space 2 does not exceed the load capacity of your roof racks or crossbars.
- ! Follow the enclosed instructions exactly during assembly and contact us if you have any questions (info@roofspace.de).
- ! Shocks and other external influences can loosen the screws of your roof tent fastening. Therefore, occasionally make sure that everything is still tight.

ROOF CARRIER

When mounting your roof racks, first follow the manufacturer's instructions. We recommend leaving a distance of approx. 80 cm between your crossbars.

ROOF SPACE 2

1. Lift the closed case of the Roof Space 2 upwards in four places and lower it onto the roof racks. If you do not have a lifting device, then perform this step only with several adults.
2. Align the closed case straight on the roof racks and make sure it is centered.
3. Screw the threaded screws into the sliding blocks that are mounted in the fastening rail on the underside of the case. The slot at the end of the threaded screw should be oriented downward.
4. Place the bracket on the threaded screws.
5. Fasten the bracket with one knurled nut per threaded screw.
6. Finally, make sure that all eight knurled nuts are tight, that Roof Space 2 will not move on the roof racks, and double-check that your roof racks are secure.

SET UP

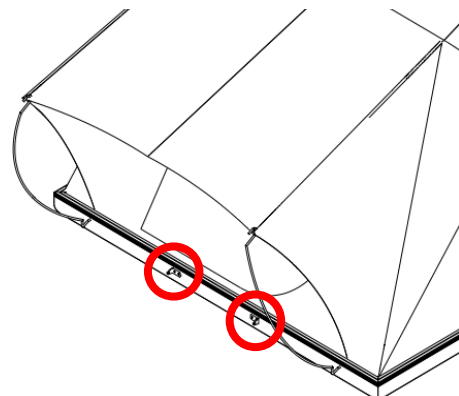
- ❗ Before the ladder is used, 1) it must be properly hooked to the intended receptacle on the roof tent 2) the ladder must be on a level and solid surface 3) the steps must be engaged.
- ❗ The ladder serves as a support to counteract leverage forces on the roof beams. It should therefore never be removed while people are inside the tent.
- ❗ If the lid is still folded upwards, make sure that it is firmly in place when opening the case and does not fall down. There is a risk of injury.

OPENING THE CASE

1. Open both buckles on the side lid, fold it up and fix it with the rubber tab inside the lid.
2. Open both buckles on the other side of the case. You will notice how the case opens a bit.
3. Now push the top of the case upwards. The gas struts will assist this process.
4. Open the whole suitcase until the tent fabric has unfolded completely and the lying area is available. If you have a taller vehicle, you can use the enclosed strap for support by attaching it to the X receptacle.

HOOKING AND SETTING UP THE LADDER

1. Attach the ladder to the case with the two pins in the receptacle. Make sure that the pins pass through all openings and that the ladder is firmly attached.
2. Extend the telescopic ladder to the ground by simultaneously pressing the shift keys (on the left and right of each step). Make sure that the steps all engage with an audible click.
3. The ladder must be placed at an angle of approx. 70 degrees on solid ground.

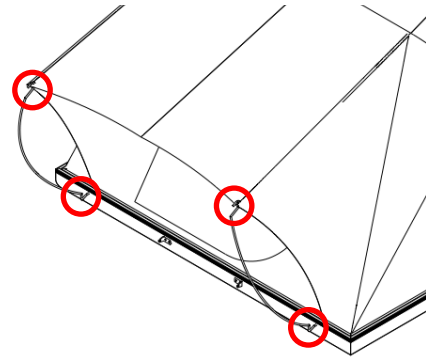


SET UP



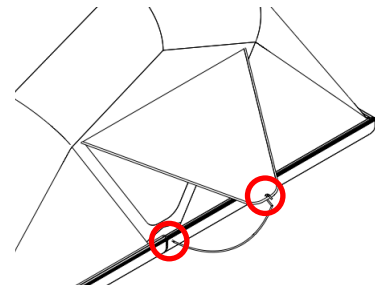
Check the tension of the wire ropes on both sides of the tent, that the case can not open over 180 °, should the ladder sag or slip away. For this purpose, use the rope tensioners in the rear two corners of the tent.

SETTING UP THE CANOPY



1. Put the spring steel poles inside the tent and sit in the entrance.
2. On both sides: Insert the lower end of the spring steel pole into the socket on the case and carefully bend the pole so that you can hook it into the eyelet in the canopy.

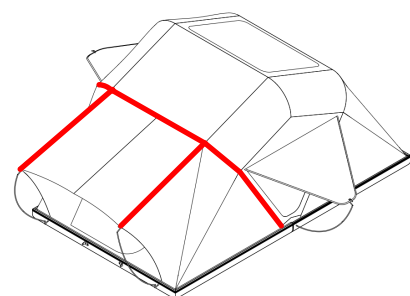
SETTING UP THE SIDE WINDOWS



1. Sit in the tent for this.
2. On both sides: Insert the lower end of the spring steel pole into the socket on the case and carefully bend the pole so that you can hook it into the eyelet in the canopy.

OPENING THE PANORAMA MODE

To open the panorama mode in Roof Space 2, all you have to do is unzip the side fabric at the entrance from the canopy and open the zipper once completely.



Dismantling

- ! There must be no tent fabric between the seals of the case, otherwise water and dirt can get inside.
- ! Watch your hands when closing the case, there is a risk of pinching your hands and fingers!
- ! If the lid is still open at the top, make sure that it is firmly in place when closing the case and that it does not fall down. There is a risk of injury.
- ! Before you drive off after dismantling: Check the attachment of the Roof Space 2 and your roof racks!

1. Remove the two spring steel bars from the canopy of the entrance.
2. Remove the two spring steel bars from the side windows.
3. Remove the ladder from the case.
4. Close the case. Use the auxiliary belt for this if you have a higher vehicle. Fold the roof tent with the help of the belt until the second push button of the belt can be hooked into the intended place of the roof tent.
5. Before you close the case completely, stuff the remaining tent fabric evenly behind the seals.
6. Close both buckles of the case. Adjust them beforehand so that some pressure must be used when closing. If the buckles are too loose, they can open again with a small vibration and cause a poor seal.

Care instructions

- ! If the tent was folded when wet, then it should be unfolded again within a day to air it out to avoid mold.
- ! Dirt can be rinsed off with a light stream of water. You can also use a sponge or soft brush and a small amount of mild detergent. Avoid strong friction and the water should have a maximum of 30 °C. Rinse the fabric several times with fresh water and let it dry.
- ! Keep the seals of the case clean. Dirt between the seals can cause the case to leak.



ROOF SPACE GMBH

IM FINIGEN 19

28832 ACHIM

WWW.ROOFSPACE.DE

INFO@ROOFSPACE.DE